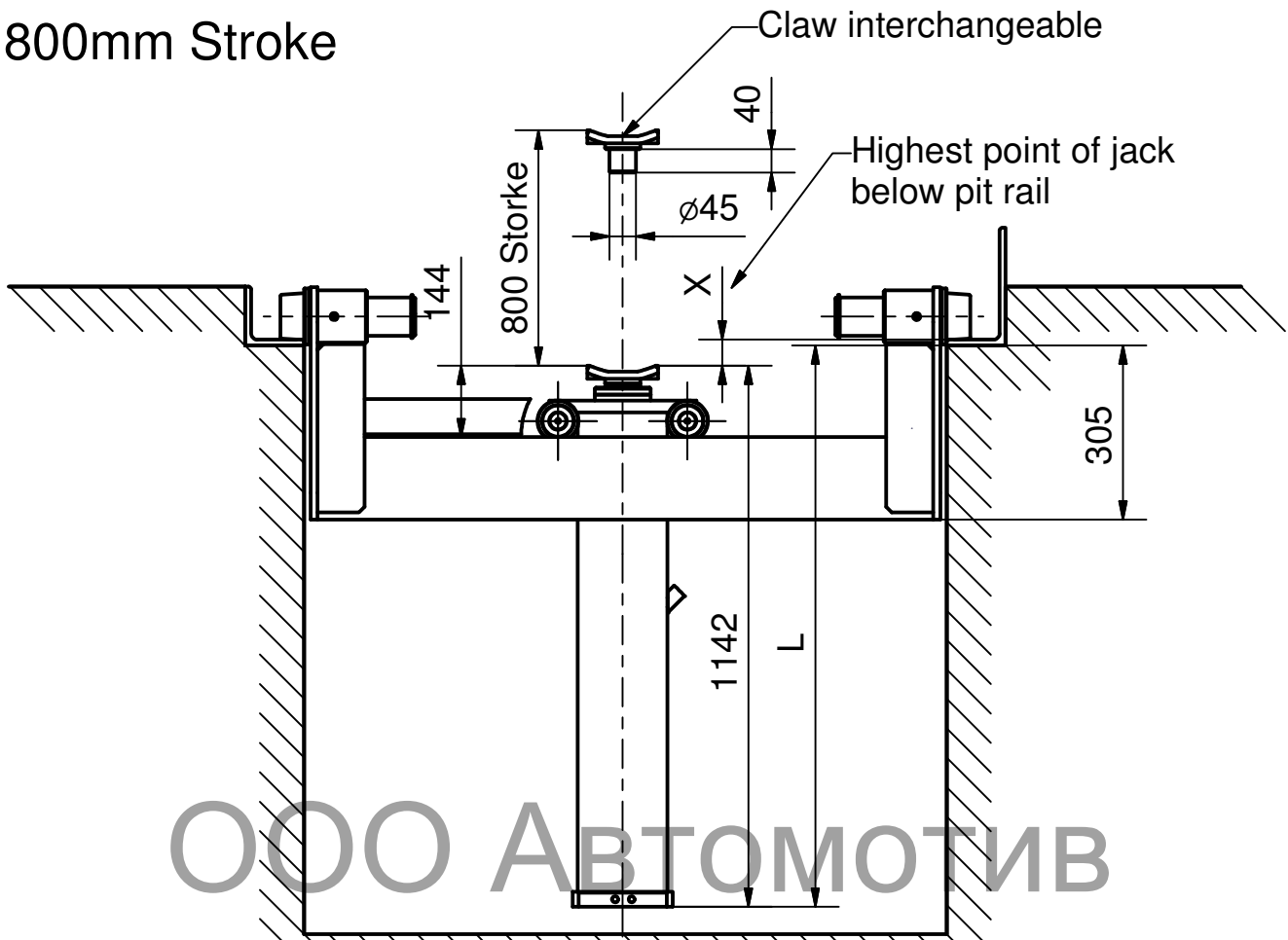


800mm Stroke

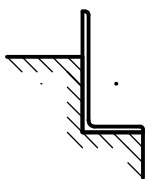


ООО АВТОМОТИВ
www.amotiv.ru

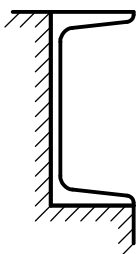
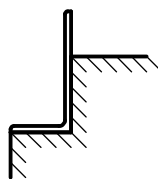
(812)309-05-42

Range of Adjustmt

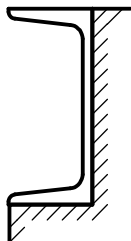
Load	L	X
6 t	1183	-41
10 t	1183	-41
14 t	1183	-41
16 t	1163	-21
20 t	1163	-21



850 - 1000
920 - 1070



920 - 1000
1000 - 1070



Above 16 tonnes, welded only

Dimensions L and X apply only to pits up to 1000 mm in width. In the case of wider pits, the jack stands 20mm higher.

ERICH SOMMERER GMBH

Mönsheimer Str. 28
D-71292 Frielzheim
Telephone +49 (0)7044 / 9452 - 0
Fax +49 (0)7044 / 9452 - 31
Email info@grubenlift.de



Dimension Sheet BB16

HKS 6 - 20 t - 800 Stroke
with lowered carriage